

t: +44 (0) 1476 593050
e: grass@atindustries.co.uk
w: www.greenacresartificialgrass.uk



Springfield Business Park • Grantham • Lincs. • NG31 7FZ

OPTIMA-DEK INSTALLATION GUIDE

TOOLS REQUIRED:

- ◆ 18v Cordless Drill / Screwdriver (with drill bits and Phillips screwdriver attachments)
- ◆ SDS Drill with 7mm Drill Bit (if installing decking joists to concrete floor)
- ◆ Countersink Drill Bit
- ◆ 4 Ft Spirit Level
- ◆ Hammer
- ◆ Plastic or Wooden Mallet (for knocking planks into place)
- ◆ Tape Measure
- ◆ Sliding Mitre Saw with a minimum of 140mm movement / Circular Saw

SAFETY EQUIPMENT:

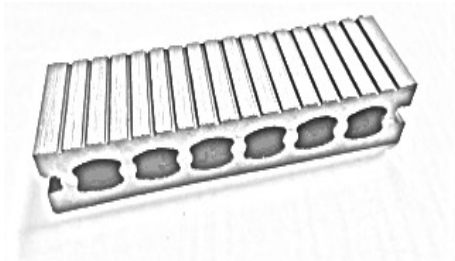
- ◆ Safety Goggles
- ◆ Ear Plugs

The method of installation is important. Incorrect installation may affect durability, or damage the product:

- 1) Prior to installation, ensure the ground is clean, dry and level
- 2) In the joint of two deck boards, two joists must be used i.e. each end of the board must have one joist as a support)
- 3) The distance between two joists should be around 30-40cm. A distance of 40cm or more is not advised
- 4) An L Cover should be fitted to the end of the deck boards
- 5) For adequate drainage, an approximate 5mm gap between boards is suggested to accommodate expansion and contraction
- 6) Decking should be installed with a slight slope (min. 3% incline) away from the property to allow for water run-off

Main Components:

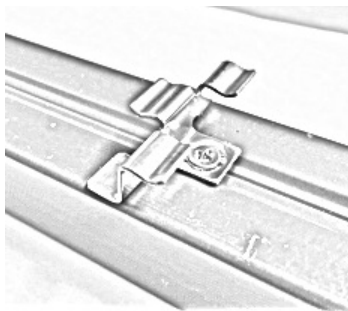
Optima-Dek Board



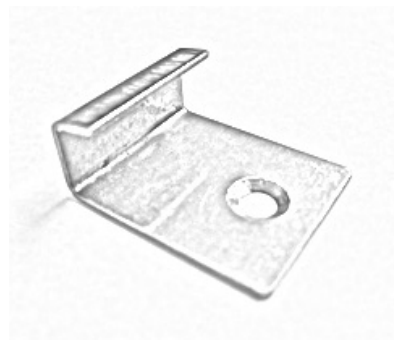
Joining Clip



Joist



Start Clip



30mm Stainless Screw



50mm L Cover End Screw



Expansion 70mm Ground Screw



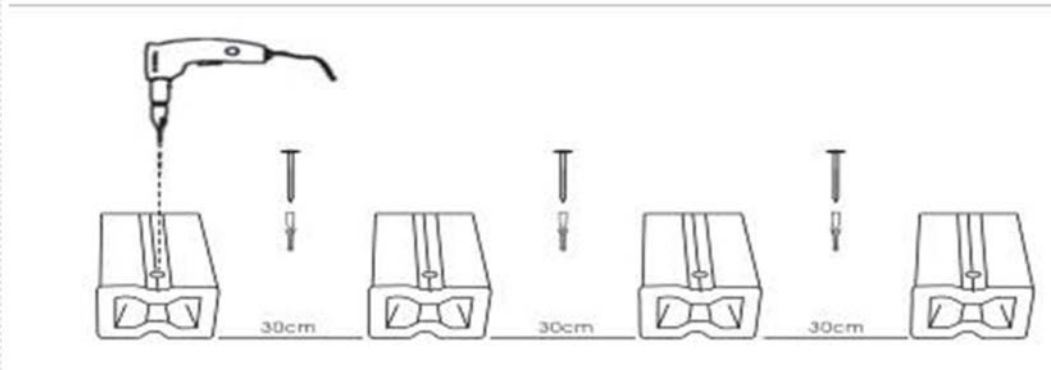
L Cover



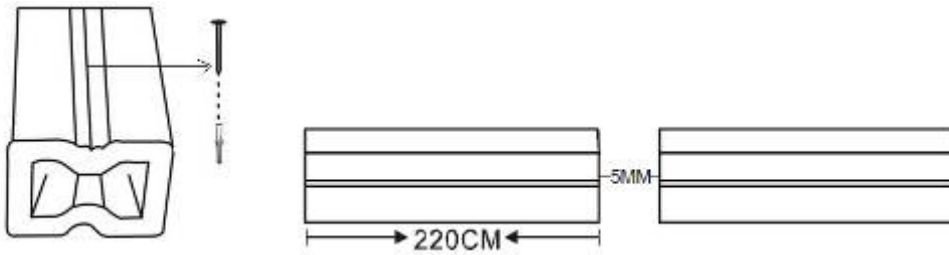
Installation Steps

Arrange the joists evenly on the floor. Ensure a distance of 5mm is left between perimeter boundary and end of planks, as well as a 5mm gap between connecting joists to allow for expansion / contraction.

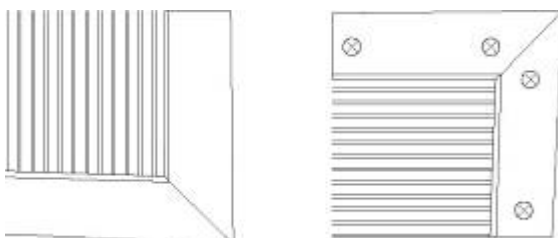
If fixing decking to concrete, use SDS drill bit to make hole in concrete. Drill holes in joist using 7mm wooden drill bit. The mallet can then be used to tap in raw plug. Fix joist to concrete floor using expansion screw.



A start clip should be attached at the beginning of each joist. Fix joining clips using 30mm screws (approximately 3 clips per linear metre) and insert the decking, fixing additional joining clips. Tap the deck board at the opposite side and screw into place through holes in joining clips.



Install end L Cover using 50mm screw.



Cleaning & Maintenance

Periodic cleaning is recommended to maintain the appearance of the deck. Use a mild detergent with water, or a pressurized water clean (maximum of 80 bars) with a wide jet setting and clean the deck in the direction of the grooves, avoiding circular movements. Clean stains as soon as possible to avoid surface absorption.

For difficult stains such as oil, food stains and sun cream, clean with a mixture of hot water and detergent or grease remover, scrub and leave for a few minutes before rinsing with clean water. If the stain remains, use a stain remover for dry cleaning clothes, following the product instructions. If the stain has penetrated into the decking, you may sand the surface with fine sandpaper or a metal brush, always in the direction of the grooves.

For liquid spillages such as wine, soft drinks, coffee and fruit, use bleach diluted in water and rinse thoroughly.

For rust stains, use a conventional rust remover, ensuring that you follow the product instructions.

For deeper stains such as cigarette ash, coal and scratches, sand the surface using fine sandpaper or a metal brush, as always in the direction of the grooves. If sanding causes a slight difference in tone, this will disappear after a short while.

Some stains may disappear gradually over time with water and sun. The decking is not resistant to Acetone, strong acids, silicone or paint.

The decking is not recommended for barbeque areas.

PLEASE REMEMBER: *These instructions are given as a guide only, to help ensure the correct installation of your decking. Adjustments may be necessary depending on your personal preferences, weather and site conditions.*